



V-SERIES

COMMERCIAL VINYL WINDOWS & DOORS

Casement | Project-Out | Hung | Horizontal Slider | Fixed | Doors



Render credit: VerveColumbus.com

**Design Flexibility.
Budgetary Advantages.
Advanced Energy Efficiencies.**

www.QuakerCommercialWindows.com

V-SERIES

COMMERCIAL VINYL WINDOWS & DOORS

Quaker's V-Series family of commercial vinyl windows and doors is the new benchmark for today's design professionals, builders and glazing contractors. The V-Series puts an end to outdated perceptions of commercial vinyl while securing trust on both structural and thermal fronts.

V100

An ideal, cost-conscious window and door alternative for low-rise light commercial projects.

V200

Design flexibility paired with energy savings. Built-in budgetary advantages are a bonus.

V250

Windows and doors that level-up from the norm. Built to stand strong against feisty inland weather.

V300

Effectively taking vinyl to new heights. An advantageous go-to in place of traditional aluminum.

V700

Exceptional, Impact-tested vinyl windows. Specifically designed to meet ASTM 1886 test requirements.



The Fred
Edina, MN
Developer: Solhem Companies
Contractor: Weis Builders
Architect: BKV Group
Comm. Window Dist.: Prosource Bldg. Supply

Credit: Solhem Companies



www.QuakerCommercialWindows.com

V-SERIES

COMMERCIAL VINYL WINDOWS & DOORS

Product Comparison Guide

Features	V100	V200	V250	V300	V700
Insulating Glass	3/4"	3/4"	3/4"	1"	1"
Mitered/Fusion Welded Corners	✓	✓	✓	✓	✓
Vinyl Colors (<i>White and Sandstone</i>)	Windows only	✓	✓	✓	✓
Painted Exterior (615-05 FGIA finish)		✓	✓	✓	✓
High-performance Textured Black Laminate (<i>Exterior</i>)	✓	✓	✓	✓	✓
High-performance Textured Black Laminate (<i>Interior and Exterior</i>)		✓	✓	✓	✓
High-performance Dark Bronze Laminate (<i>Exterior</i>)		✓	✓	✓	✓
High-performance Resembles Clear Anodized Laminate (<i>Exterior</i>)				✓	✓
Integral Nail Fin	✓	✓	✓	✓	✓
Multi-point Locking System w/Flip-down handle (<i>Casement and Project-Out models</i>)		✓	✓	✓	✓
Heavy-Commercial 4-bar hardware (<i>Casement and Project-Out models</i>)		✓	✓	✓	✓
Low-Profile cam lock (<i>Hung and Sliding models</i>)	✓	✓	✓	✓	
Integral J-Channel (<i>Hung and Sliding Models</i>)		✓	✓		
Aluminum Screen with BetterVue™ mesh (<i>Hung and Sliding models</i>)	✓	✓	✓	✓	
FlexScreen™ (<i>Casement and Project-Out models</i>)		✓	✓	✓	✓
Aluminum Screen with BetterVue™ mesh (<i>Sliding Door</i>)	✓	✓	✓		
Recommended usage (# of stories)	1 to 4	1 to 4	1 to 5	1 to 11	1 to 11

Options	V100	V200	V250	V300	V700
Casement/Project-Out models		✓	✓	✓	✓
Single Hung/Double Hung models	Single Hung only	✓	✓	Single Hung only	
Horizontal Slider models	✓	✓	✓	✓	
Fixed models	✓	✓	✓	✓	✓
Doors	Sliding	Sliding	Sliding	Terrace	
Wide Variety of Low-E/Argon glazing combinations	✓	✓	✓	✓	✓
1 3/8" Glazing				✓	✓
Muntins - GBG (<i>Grids Between Glass</i>) 5/8" or 3/4"	5/8" only	✓	✓	✓	✓
Muntins - SDL (<i>Simulated Divided Lites</i>)		✓	✓	✓	✓
Reinforced Mullions	✓	✓	✓	✓	✓
1/2" and 2" Structural Mullions	1/2" only	✓	✓	✓	✓
Egress Hardware (<i>Casement Windows</i>)		✓	✓	✓	✓
Limited Travel Hardware		✓	✓	✓	✓
Finless Main Frame	✓	✓	✓	✓	✓
Extruded Aluminum Screen Frame with aluminum wire mesh		✓	✓	✓	✓
Extruded Aluminum Screen Frame with stainless steel 0.009" mesh thickness		✓	✓	✓	✓

V-SERIES

COMMERCIAL VINYL WINDOWS & DOORS

Support Services

Quaker's expertise and support services are unmatched in the industry. While every project is distinct, Quaker offers in-house processes which consistently cover every detail. These fool-proof procedures ensure your project and our V-Series products are a perfect match.

- Quaker has a dedicated commercial team with more than 150 years of industry experience
- Quaker's team will assist with every facet; design development, budgetary aspects, and project management



PROJECT AND SPECIFICATION REVIEW

How many stories are in the building?
Where is it located?
How large are the windows?
These and other important questions must be answered before moving forward.



ENGINEERING & DESIGN ASSESSMENT

After evaluating every component making up your project, our professional engineering expertise is put to work, as we carefully calculate customized solutions to best meet your spec's requirements.



LOCAL AND ARCHITECTURAL SALES SUPPORT

Quaker's Sales Representatives, many with 25+ years of knowledge and industry pedigree, have a vested interest in working beside you...not from afar. If you have questions, they want to answer them. If you have a concern, it's their concern too.



V-SERIES

COMMERCIAL VINYL WINDOWS & DOORS

Selection Guide

Model	Series	Frame Depth	Structural Test Rating	Test Size	Design Pressure	Air Infiltration	Water Resistance	U-Value Range [#]	STC Range ^x	OITC Range ^x
Single Hung	V100	2 3/4"	R40	40" x 63"	40	<.30	6.06	.25-.48		
	V200	3 1/4"	R35	40" x 63"	35	<.30	5.43	.25-.48	34-35	27
	V250	3 1/4"	LC35	44" x 75"	35	<.30	5.43	.25-.48	29-35	24-29
	V300	3 1/4"	CW50	56" x 91"	50	<.30	7.5	as low as 0.25	32-35	26-28
Horizontal Slider	V100	2 3/4"	R40	63" x 44"	40	<.30	6.06	.25-.51		
	V200	3 1/4"	R40	63" x 44"	40	<.30	6.06	.23-.51	29-31	24-28
	V250	3 1/4"	R50	63" x 44"	50	<.30	7.5	.23-.51	29-31	24-28
	V300	3 1/4"	CW50	71" x 60"	50	<.30	7.5	as low as 0.25	32-34	26-29
Fixed	V100	2 3/4"	R40	60" x 60"	40	<.30	6.06	.23-.47		
	V200	3 1/4"	R50	48" x 48"	50	<.30	6.06	.20-.46		
	V250	3 1/4"	LC35	56" x 56"	35	<.30	5.43	.20-.46		
	V300 (wide rail)	3 1/4"	CW50	72" x 84"	50	<.30	7.5	.14-.46	35	29
	V300 (narrow rail)	3 1/4"	CW50	78" x 78"	50	<.30	7.5	.21-.46		
Casement	V200	3 1/4"	R40	24" x 60"	40	<.30	6.06	.21-.32		
	V250	3 1/4"	LC30	32" x 60"	30	<.30	5.43	.21-.32		
	V300	3 1/4"	CW50	36" x 78"	50	<.30	7.5	.17-.28	34-41	29-34
	V700	3 1/4"	CW50	36" x 78"	50	<.30	7.5	.23-.27	34-41	29-34
Project-Out	V200	3 1/4"	R40	48" x 18"	40	<.30	6.06	.22-.48		
	V250	3 1/4"	LC35	48" x 32"	35	<.30	5.43	.22-.47		
	V300	3 1/4"	CW50	60" x 32"	50	<.30	7.5	.24-.47	35	29
	V700	3 1/4"	CW50	60" x 32"	50	<.30	7.5	.24-.47	35	29
Double Hung	V200	3 1/4"	R40	40" x 63"	40	<.30	7.5	.23-.33		
	V250	3 1/4"	R50	36" x 84"	50	<.30	7.5	.23-.33		
Swing Door (all models)	V300	3 1/4"	CW50	40" x 84"	50	<.30	7.5	as low as 0.24		
Sliding Door	V100	4 7/8"	R50	71" x 80"	50	<.30	7.5	.28-.29		
	V200/V250	5 5/8"	R50	72" x 82"	50	<.30	7.5	.17-.30		

*-Ranges based on multiple Low-E/Argon I.G. combinations

x-Ranges based on multiple I.G. combinations

All ratings listed are NAFS certified. Periodic re-certification testing is required thus data shown may vary slightly.

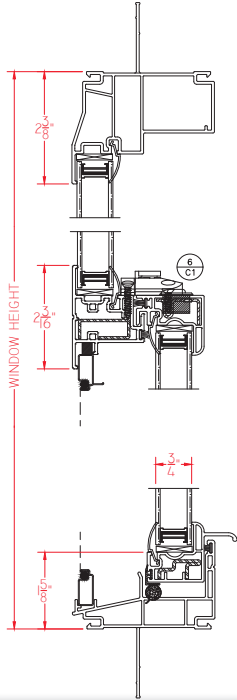
V-SERIES

COMMERCIAL VINYL WINDOWS & DOORS

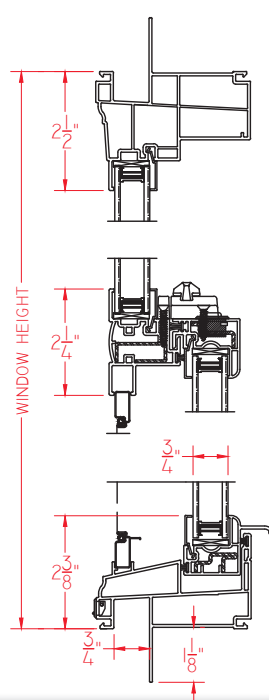
Products

Single Hung

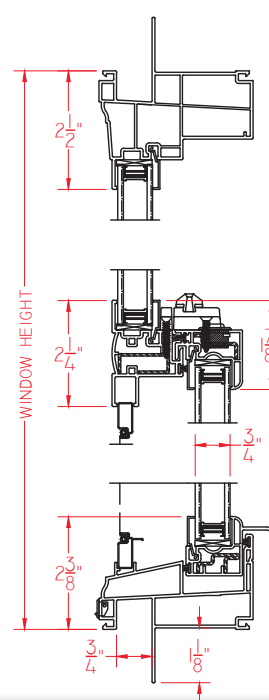
V100 Series



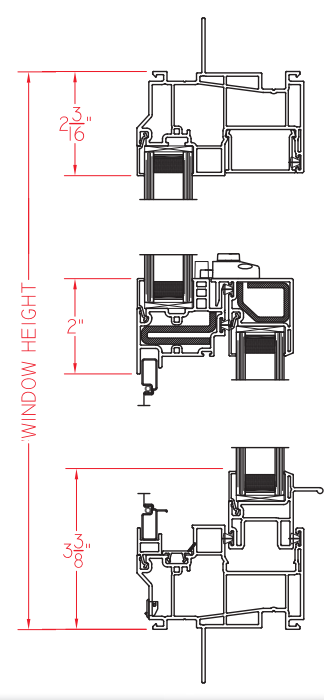
V200 Series



V250 Series



V300 Series



Park Place
 Flagstaff, AZ
 Developer: Park 7 Group
 Contractor: Brinkman Constructors
 Architect: Humphreys & Partners Architects
 Commercial Window Dist.: G2 Architectural

Credit: prospectportal.com



www.QuakerCommercialWindows.com

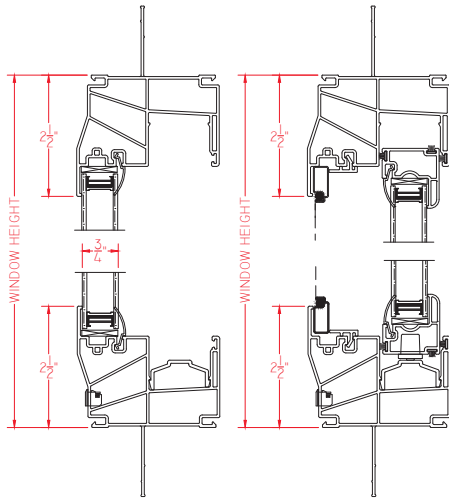
V-SERIES

COMMERCIAL VINYL WINDOWS & DOORS

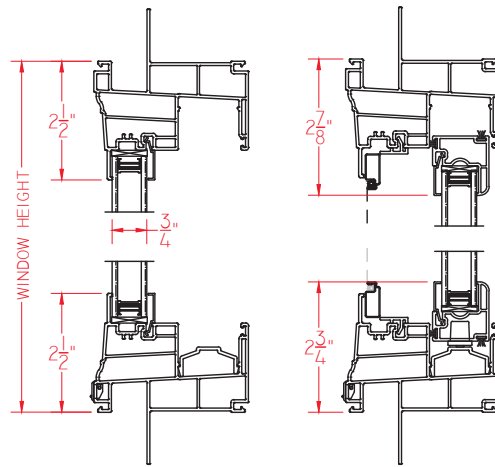
Products

Horizontal Slider

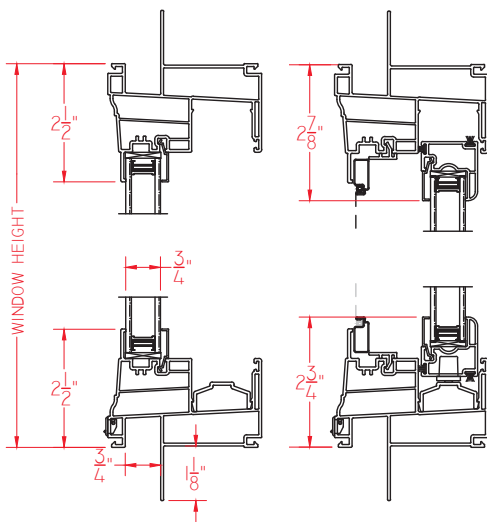
V100 Series



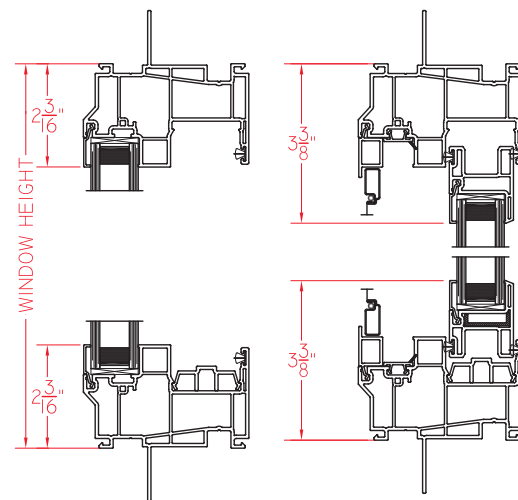
V200 Series



V250 Series



V300 Series



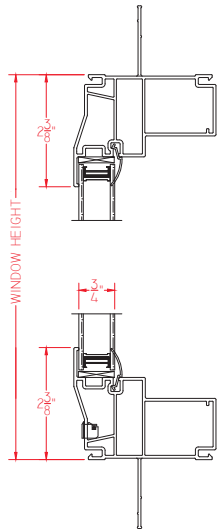
V-SERIES

COMMERCIAL VINYL WINDOWS & DOORS

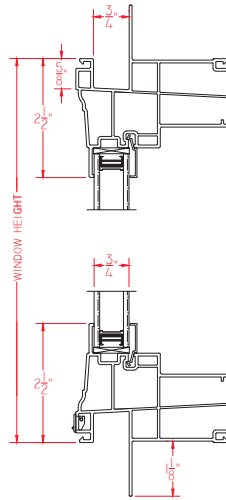
Products

Fixed

V100 Series

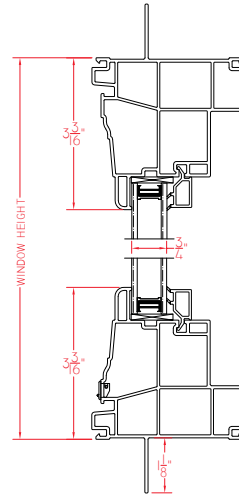


Sash set model to match V200 hung and horizontal slider models

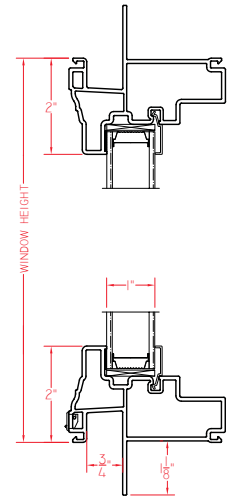


V200 Series

Sash set model to match V200 casement and project-out models

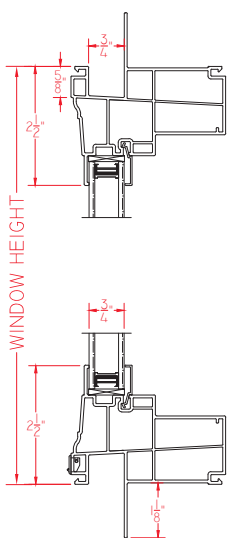


Direct set model compatible with all V200 models

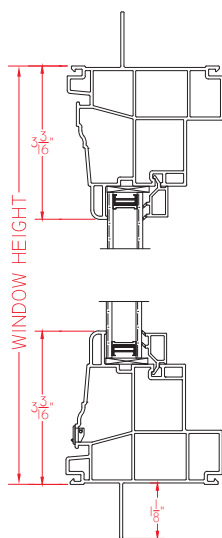


V250 Series

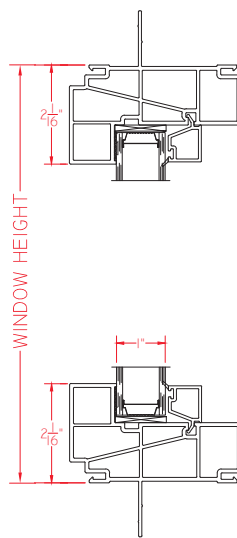
Sash set model to match V250 hung and horizontal sliding models



Sash set model to match V250 casement and project-out models

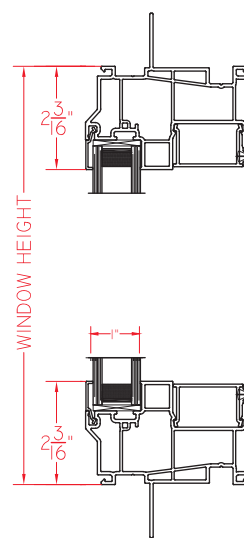


Narrow rail model to match V300 casement and project-out units

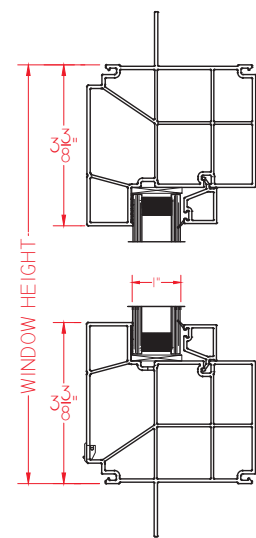


V300 Series

Narrow rail model to match V300 hung and horizontal sliding units



Wide rail model compatible with all V300 models



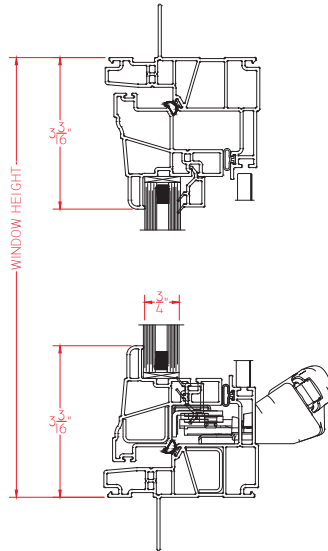
V-SERIES

COMMERCIAL VINYL WINDOWS & DOORS

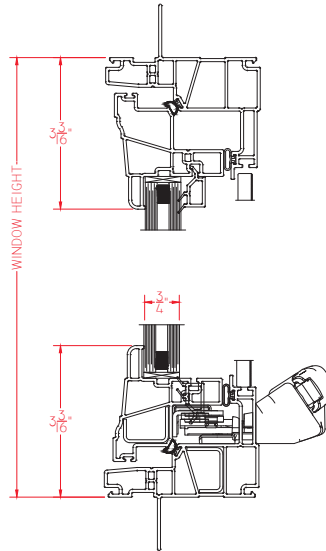
Products

Casement

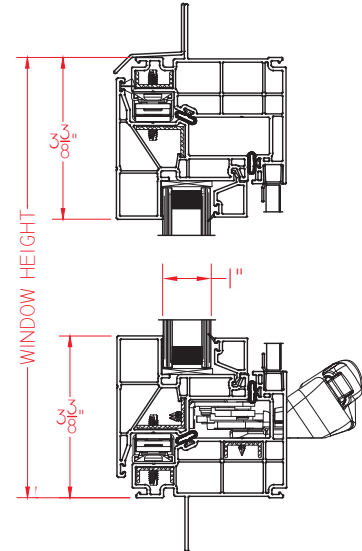
V200 Series



V250 Series



V300/V700 Series



Azul North Park
San Diego, CA
Developer: Floit Properties
Contractor: Suffolk, Inc.
Architect: JWDA Architects
Commercial Dealer: Hardy Windows



Credit: Floit Properties

800-347-0438



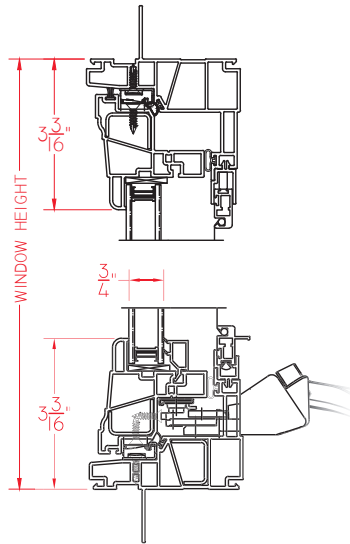
V-SERIES

COMMERCIAL VINYL WINDOWS & DOORS

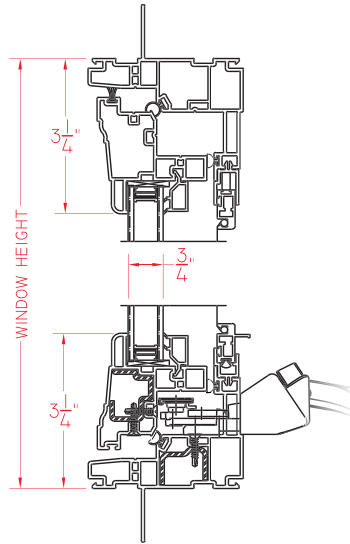
Products

Project-Out

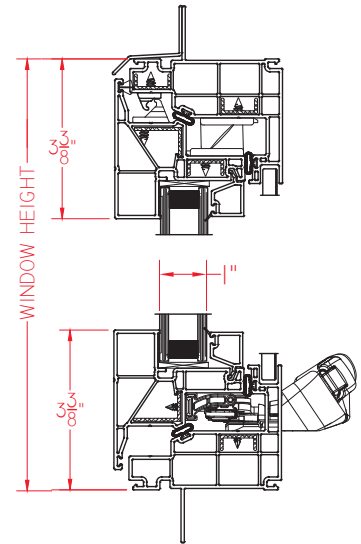
V200 Series



V250 Series



V300/V700 Series



Hanover Cross Street
Baltimore, MD
Developer: The Hanover Company
Contractor: The Hanover Company
Commercial Dealer: Revolution Bldg. Supply



Credit: southbmore.com



www.QuakerCommercialWindows.com

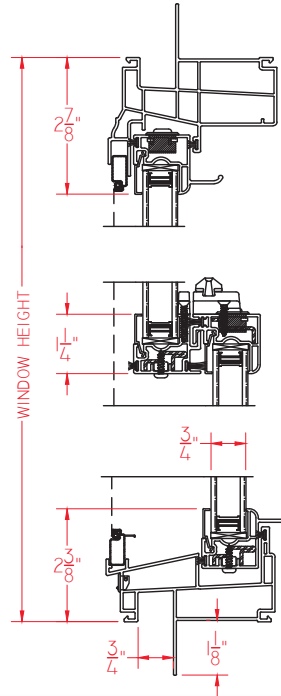
V-SERIES

COMMERCIAL VINYL WINDOWS & DOORS

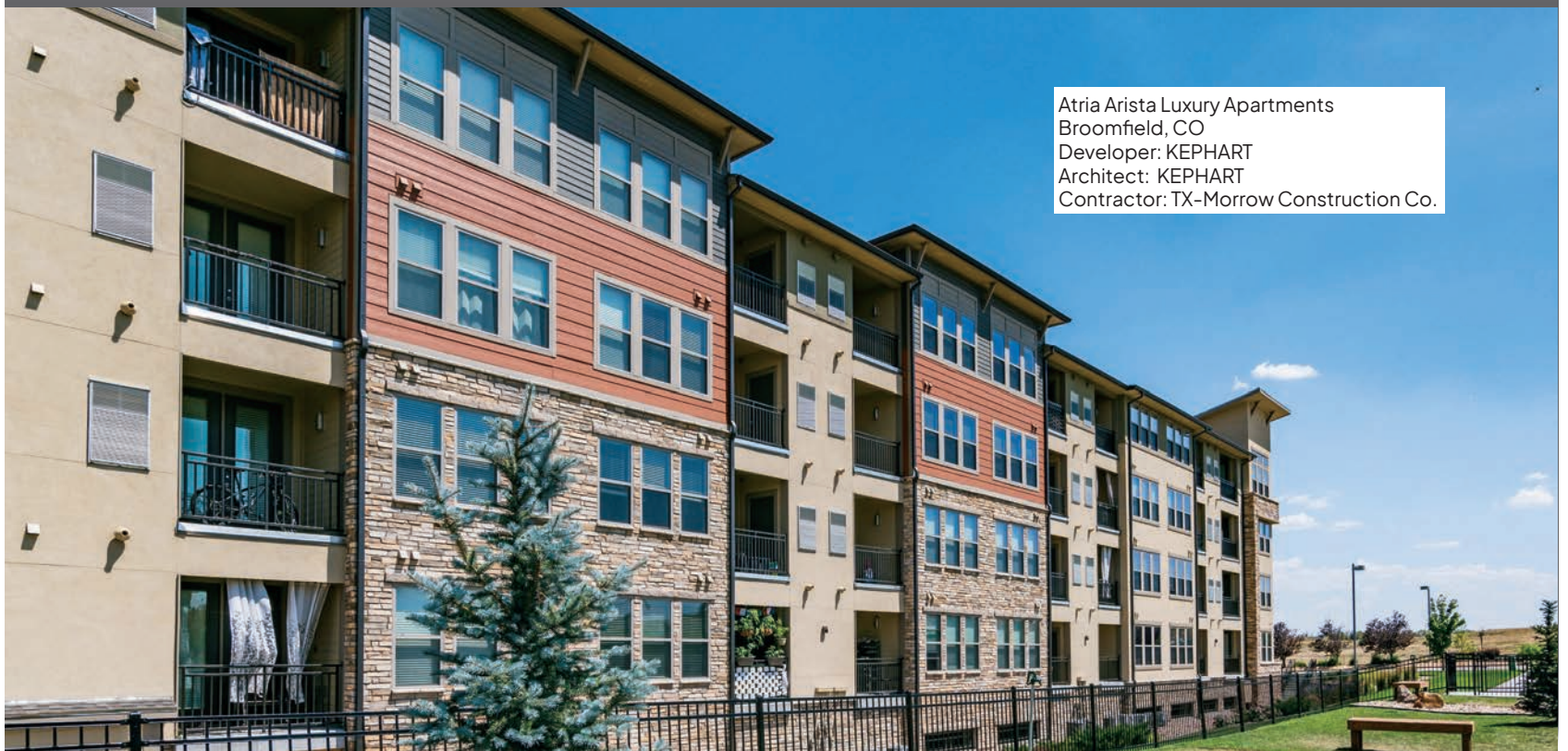
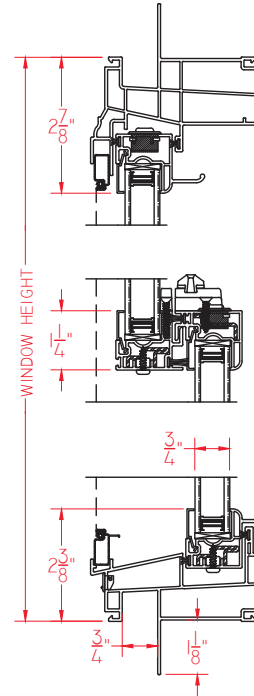
Products

Double Hung

V200 Series



V250 Series



Atria Arista Luxury Apartments
Broomfield, CO
Developer: KEPHART
Architect: KEPHART
Contractor: TX-Morrow Construction Co.

800-347-0438



V-SERIES

COMMERCIAL VINYL WINDOWS & DOORS

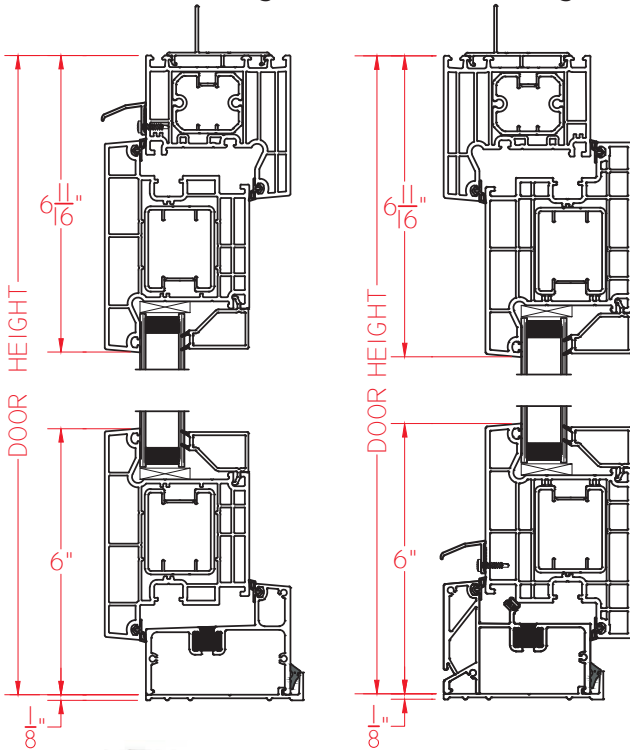
Products

Terrace Doors

V300 Series w/standard sill

Outswing

Inswing



Depot on Main
Burlison, TX
Developer: D.O.M. Holdings LLC
Contractor: Muckleroy & Falls
Architect: Preston Partnership
Glazing Contractor: Installed
Building Products

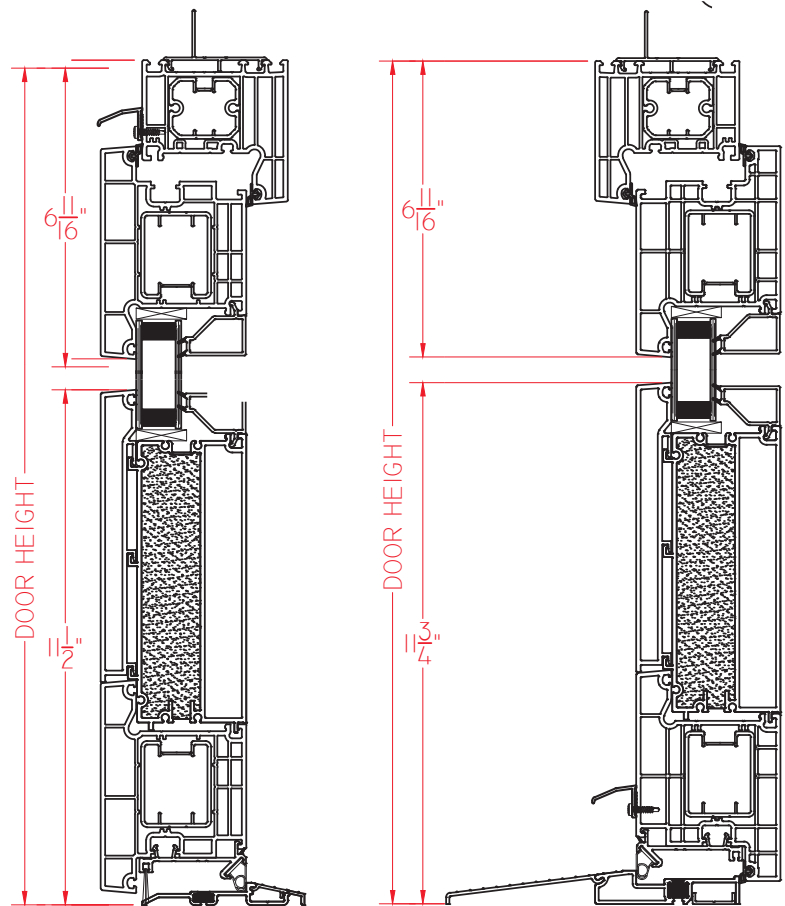


Credit: Greystar.com

V300 Series w/ADA sill

Outswing

Inswing



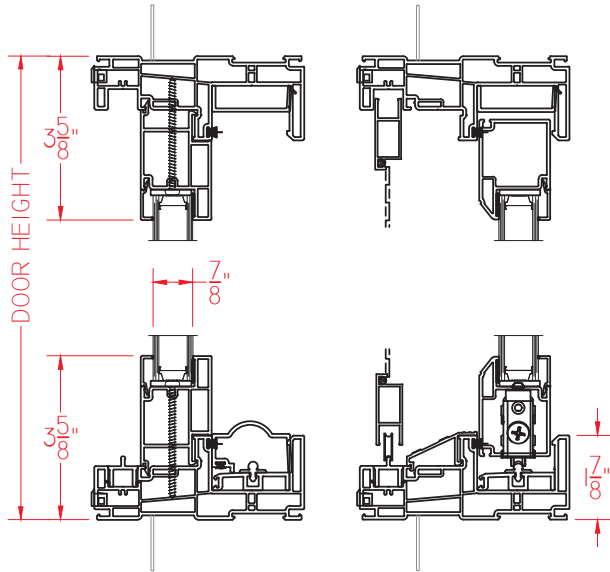
V-SERIES

COMMERCIAL VINYL WINDOWS & DOORS

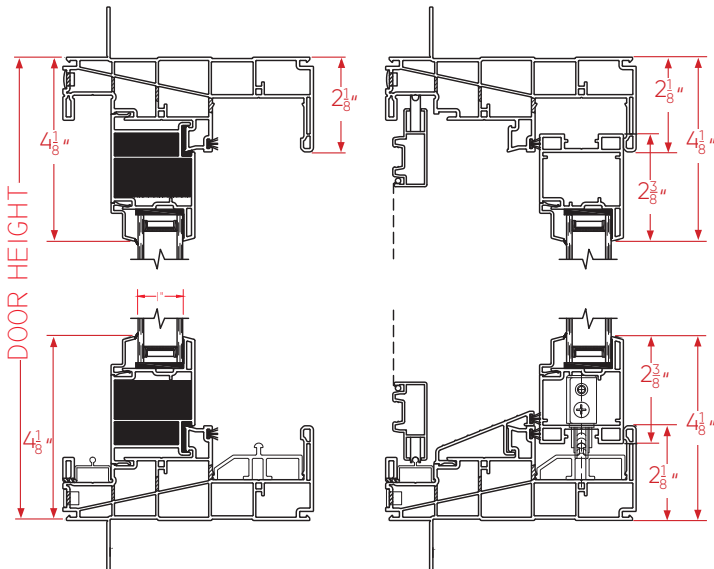
Products

Sliding Doors

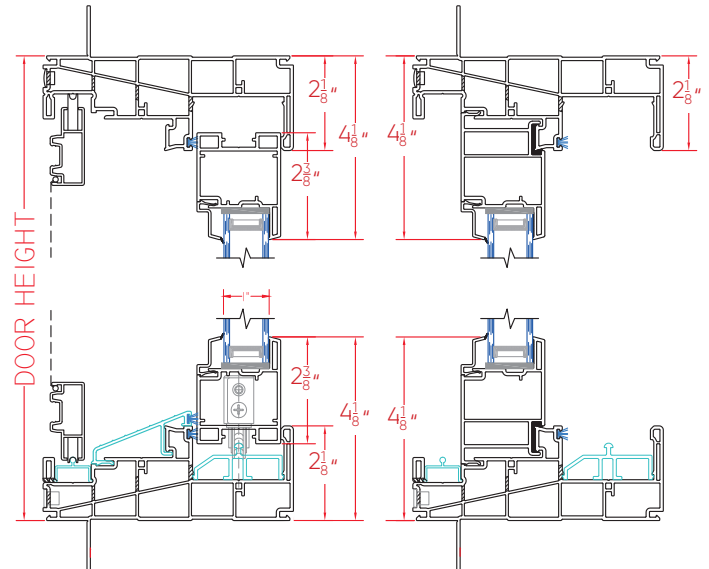
V100 Series



V200 Series



V250 Series



V-SERIES

COMMERCIAL VINYL WINDOWS & DOORS

Products

Impact (V700)

- V700 Series meets ASTM 1886 (Large Missile Impact - Level D) testing requirements
- Casement, Project-Out and Fixed models
- Nail Fin or Trim/Clip anchorage systems for operating models
- Nail Fin anchorage system for fixed model



Florida Building Code

- V700 meets all required FBC calculations
- Casement: FL40310.2 (2020 Code Version)
- Project-Out: FL36916.3 (2020 Code Version)
- Fixed: FL36903.3 (2020 Code Version)
- Approved anchorage systems
- See full information at FloridaBuilding.org



The Acorn on Person Street
Raleigh, NC
Developer: Person Street Apartments LLC
Contractor: Williams Realty & Building Inc.
Architect: Cline Design Architects
Comm. Window Distributor: Morrison Millwork

Credit: Williams Realty & Building / wrbco.com



www.QuakerCommercialWindows.com

V-SERIES

COMMERCIAL VINYL WINDOWS & DOORS

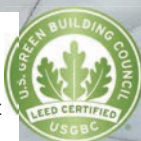
Products

LEED®

- All V-Series models - operating and fixed - can assist with garnering LEED points
- LEED Building Design and Construction (LEED BD+C) works for both new construction and replacement commercial projects
- World's preeminent green building organization



Woodland Glenn IV
Lexington, KY
Developer: University of Kentucky
Architect: Sherman Carter Barnhart
Contractor: Messer Construction
Glazing Contractor: Kidd Glass Inc.



Credit: Phebus Photography

800-347-0438



V-SERIES

COMMERCIAL VINYL WINDOWS & DOORS

Options

Vinyl Colors, Painted Exteriors & Laminates

Vinyl Colors

- 100% pure uPVC colors hold a bright sheen and won't fade like re-ground vinyl
 - » White
 - » Sandstone

(New) Textured
Dark Grey
Available as a
Painted Exterior &
Laminate Exterior

Painted Exteriors

- Painted vinyl allows Quaker to offer an exterior color palette which far exceeds traditional expectations.
 - » Black
 - » Dark Bronze
 - » Redwood
 - » Holly Green
 - » Toffee
 - » Chestnut
 - » Earthtone
 - » Sandstone
 - » Beige
 - » Satin Creme
 - » White
 - » Resembles Clear Anodized
 - » Textured Black
 - » Textured Dark Bronze
 - » Textured Resembles Clear Anodized
 - » (NEW) Textured Dark Grey
- Exterior color selections expand even further because of Quaker's ability to produce any custom exterior color you have in mind
- All painted vinyl finishes meet FGIA 615-05, the highest, most superior vinyl painted finish available.

Laminate Coatings

- Four high-performance laminate coatings can be applied to the exterior of all Quaker V-series products*, paired with a white interior for a two-tone appearance
 - » Textured Black
 - » Textured Dark Bronze
 - » Textured Resembles Clear Anodized
 - » (NEW) Textured Dark Grey
- Depending upon your product of choice and your color preference, laminate can be added to the interior too.
- All Quaker laminates meet quality and test requirements in accordance to RAL GZ716/1

**Some limitations may apply.*



District @ 6th
Des Moines, IA
Developer: TWG Development
Architect: TWG Development
Comm. Window Distributor: Lite Inc.

Credit: UrbanDSM.com

Warranty

- 10 year limited warranty on vinyl colors, painted exteriors and laminate coatings
- See complete warranty details on our website



www.QuakerCommercialWindows.com

V-SERIES

COMMERCIAL VINYL WINDOWS & DOORS

Options

Glass

Pane thickness:

- $\frac{3}{32}$ "
- $\frac{1}{8}$ "
- $\frac{5}{32}$ "
- $\frac{3}{16}$ "
- $\frac{1}{4}$ "
- $\frac{5}{16}$ "

I.G. thickness:

- $\frac{3}{4}$ " (Double pane)
- 1" (Double pane)
- $1\frac{3}{8}$ " (Triple pane)

Glass Types:

- Dual Silver Low-E
 - Triple Silver Low-E
 - Interior Pane Low-E
 - Tempered Safety Glass
 - Laminated
 - Spandrel
 - Neat+ Low Maintenance
 - Obscure (for privacy)
 - Tinted
 - Mirror
- and many others

Specialty Choices:

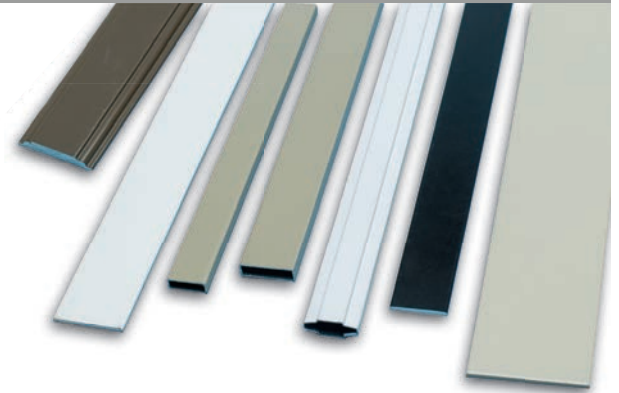
- Insulated Panels
- Blinds/Panel

Eco-Friendly Choices:

- Bird Glass
- Turtle Glass

Some limitations may apply based upon several variables including, but not limited to, the window/door series chosen and requested/required specifications.

Grids



Grids Between the Glass

- Flat or Contoured

Simulated Divided Lites

- Numerous profiles and combinations available

This is a small sampling of the many grid profiles Quaker has available.

Seven at Seven Mile Creek
Nashville, TN
Developer: Avenue Construction
Contractor: Avenue Construction
Architect: Barnett Design Studio
Comm. Window Distributor: Architectural Visions



Credit: Seven at Seven Mile Creek

800-347-0438



V-SERIES

COMMERCIAL VINYL WINDOWS & DOORS

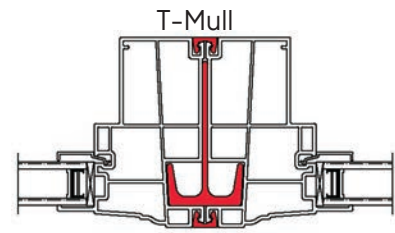
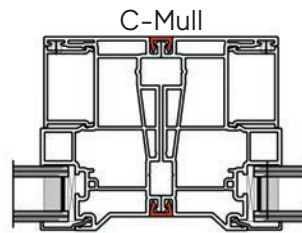
Options

Mulls

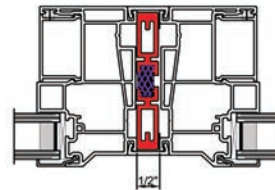
Glasswater Creek of Plainfield
Indianapolis, IN
Developer: CRF Development
Contractor: T & W Corp.



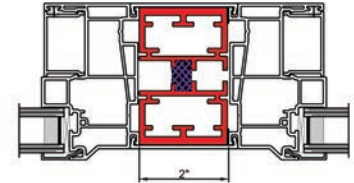
Whether stacking windows or pairing them side-by-side, our V-Series reinforced and structural mulling systems deliver confidence. They won't flex at the first sign of wind and their design leaves no room for infiltration.



1/2" Structural Mull



2" Structural Mull



**Usage limitations may apply*

Accessories

Quaker can provide a multitude of accessories for your V-Series install -- no matter what product you choose.*

- Casing
- Panning
- Receptor
- Subsill
- Louver systems to accommodate HVAC

Other accessories include:

- WOCD (Window Operating Control Device)
- Trickle Vent and more.

**Some limitations may apply*



The Yards
Kansas City, MO
Owner: Flaherty & Collens
Contractor: MW Builders
Architect: Kem Studio
Glazing Contractor: Ziegler's Glass



www.QuakerCommercialWindows.com

The Quaker Difference: More than meets the eye.

Since 1949, The Quaker Difference has meant providing more than just windows and doors. It's a standard of quality, engineering and craftsmanship that distinguishes us from all other window and door manufacturers in America. That commitment continues with our V-Series of commercial vinyl products.

- It's a standard of craftsmanship and engineering excellence we build into every product, distinguishing us from all other window companies in America.
- It's professional manufacturing specialists, some with more than 40 years of window experience, providing unparalleled attention to detail from start to finish.
- It's shying away from testing at entry-level, gateway sizes. Instead, we test using gateway and maximum sizing. This ensures the entire scope of a product's sizing will meet the advertised rating.
- It's multiple quality checks implemented throughout the manufacturing process to guarantee a paramount product.
- It's our state-of-the-art vinyl paint facility. Unlike many manufacturers that outsource, Quaker controls the quality and consistency of our finish in-house.
- It's employing thicker glass panes which will both lower the amount of stress cracks and raise your ability to control sound intrusion.
- It's our "can-do" attitude toward custom projects. Never is a job too custom for Quaker. Our option and accessory choices allow us to do what others can't.
- It's doing more than just selling windows and doors. It's finding the right window and door solution for your project.

That's *The Quaker Difference*.



SOHO Apartments
St. Louis, MO
Owner: El Capitan One, LLC
Contractor: Big Sure Construction
Architect: VE Design Group
Commercial Dealer: XL Building Products



800-347-0438






V-SERIES

COMMERCIAL VINYL WINDOWS & DOORS

Find more information on Quaker windows and doors



 www.QuakerCommercialWindows.com

 1-800-347-0438

 commercial@quakerwindows.com



Made in America: All Quaker products are designed and manufactured in the United States at our state-of-the-art facilities in Eldon, MO (above) and Freeburg, MO.



April, 2024 V4

Quaker Window Products reserves the right to change or discontinue any products or options within this brochure without notice.



ON THE COVER:

Verve Columbus
Columbus, OH
Developer: SubText
Contractor: Brinkman Constructors
Architect: Bass Studio Architects
Comm. Window Distributor: G2 Architectural